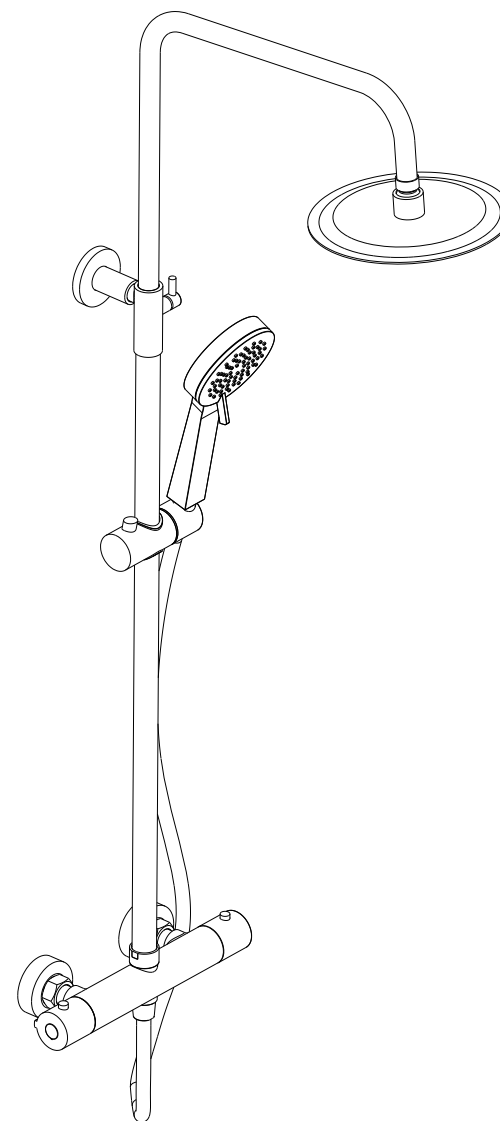
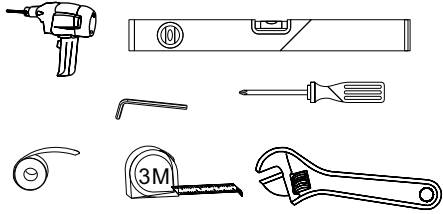


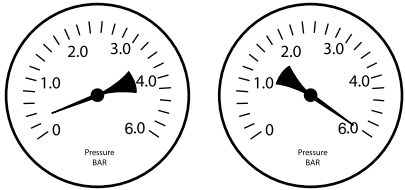
# Thermostatic Shower Mixer System Installation





## Specifications

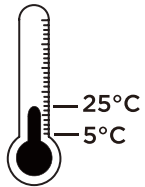
**Dynamic Water Pressure**  
 Min: 0.2 bar    Max: 6.0 bar



**Maximum Static Pressure:** 10.0 bar

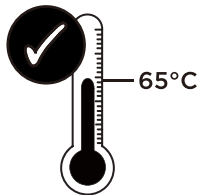
**Inlet Water Temperature**

**Cold Water Supply**



Min: 5°C Max: 25°C

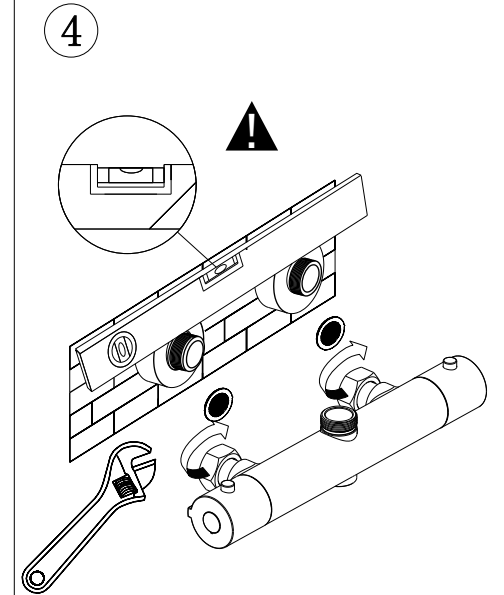
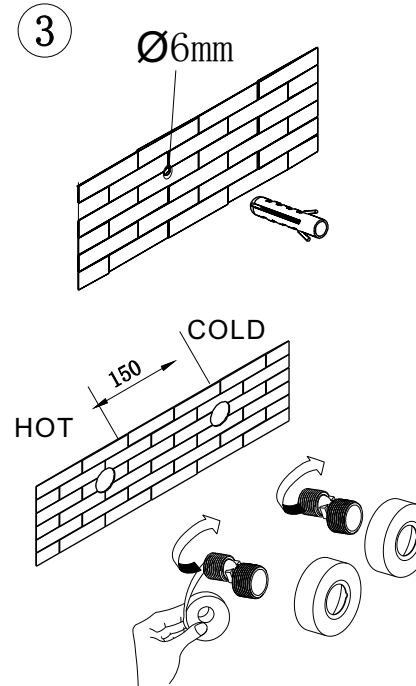
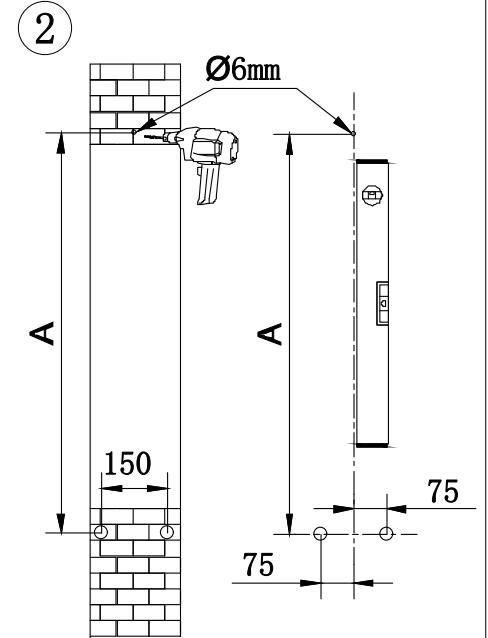
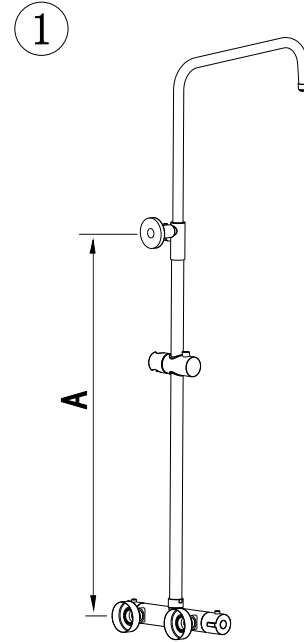
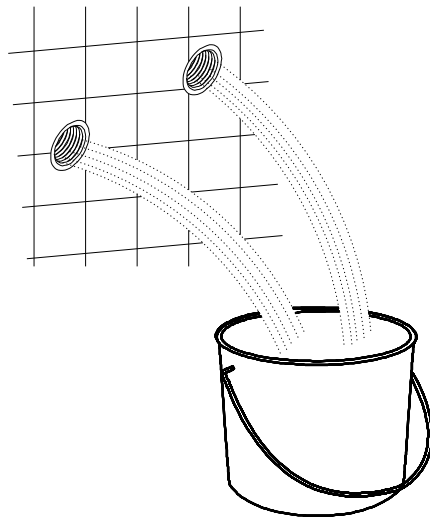
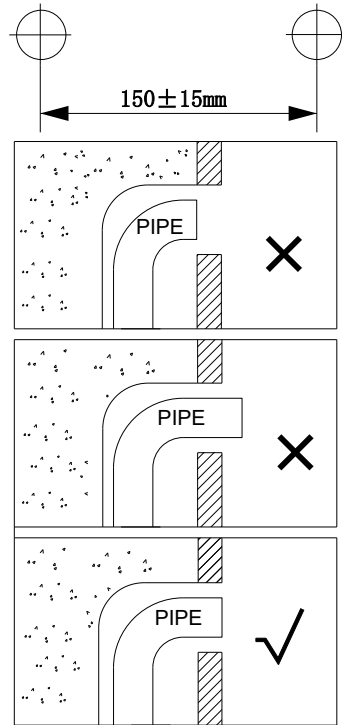
**Hot Water Supply**



65°C Recommended

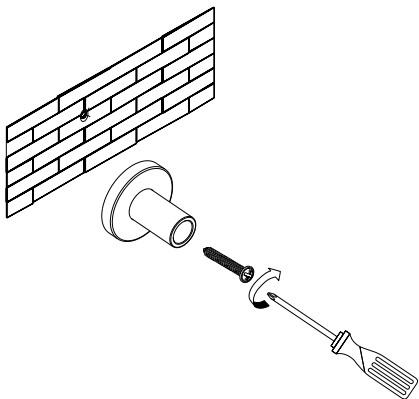
### ! IMPORTANT

The inlet hot water must be at least 10°C above the required blend temperature.

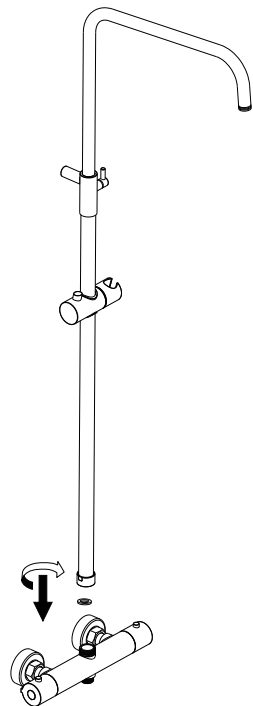


# Maintenance-Cleaning check valve & mesh filter

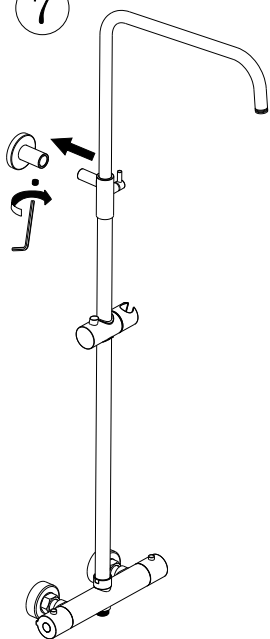
5



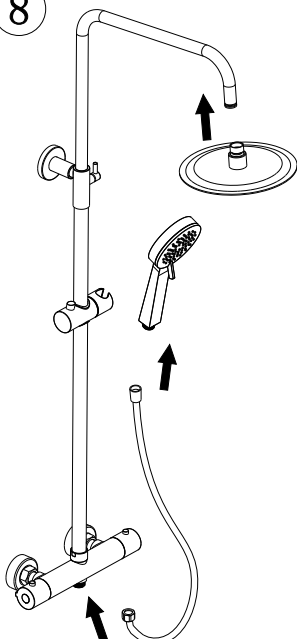
6



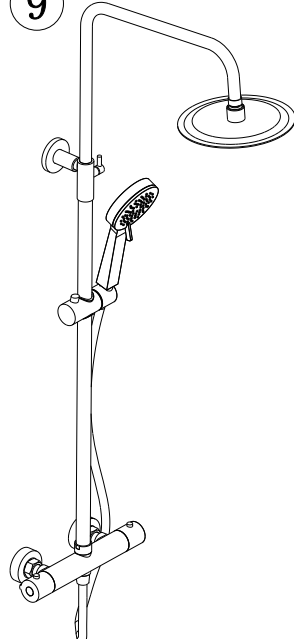
7



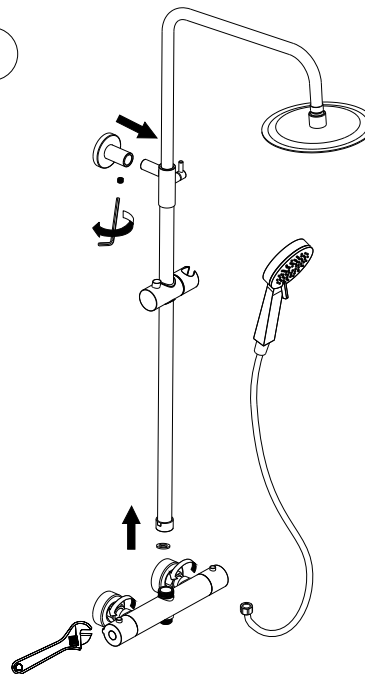
8



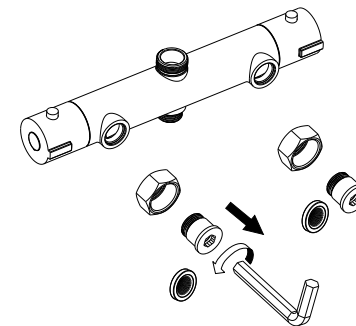
9



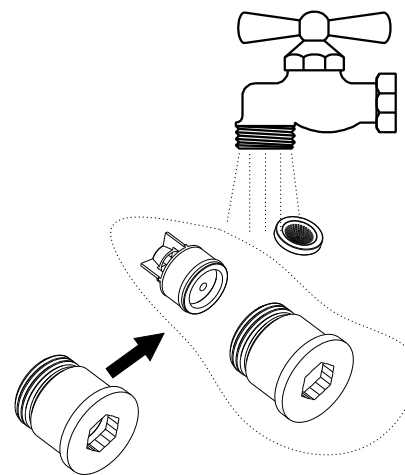
1



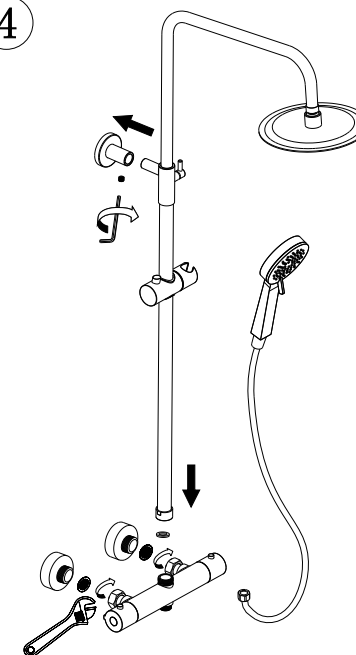
2



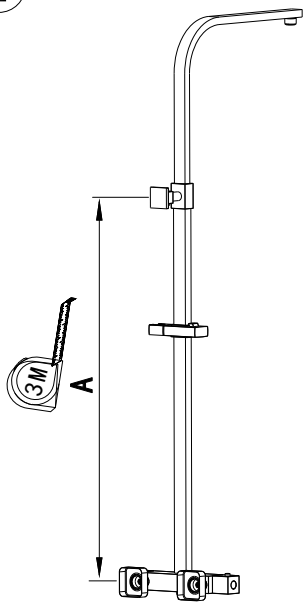
3



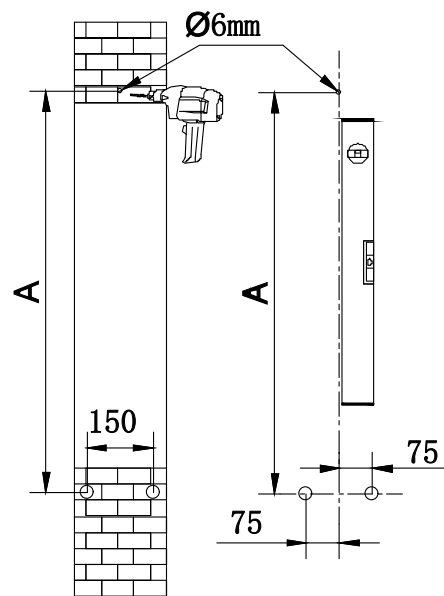
4



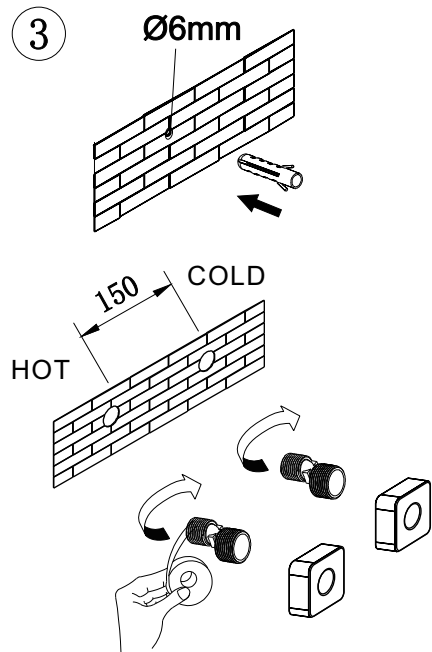
1



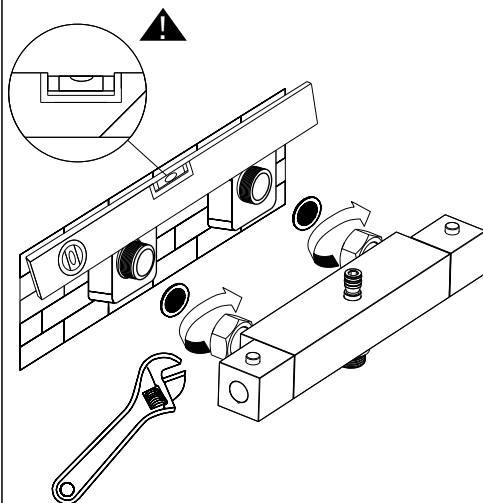
2



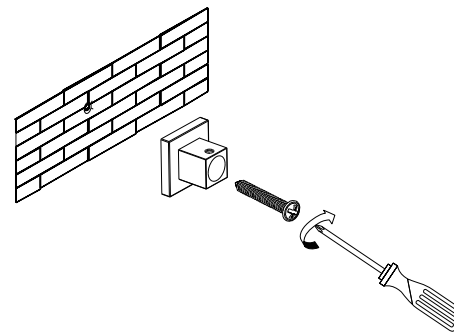
3



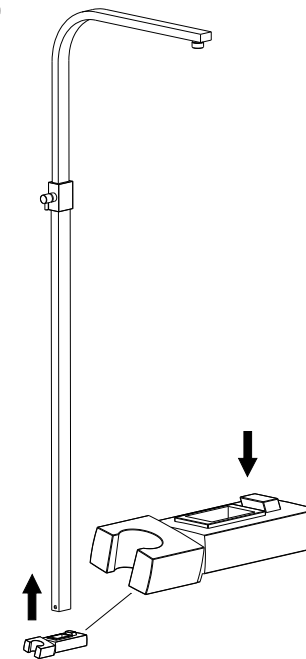
4



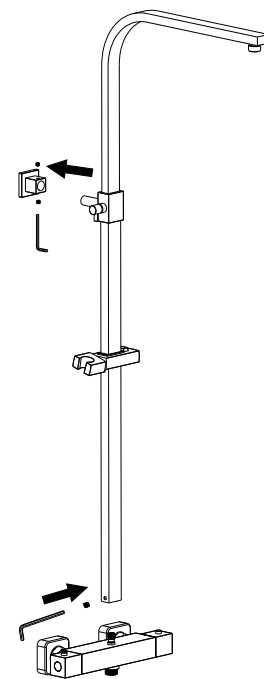
5



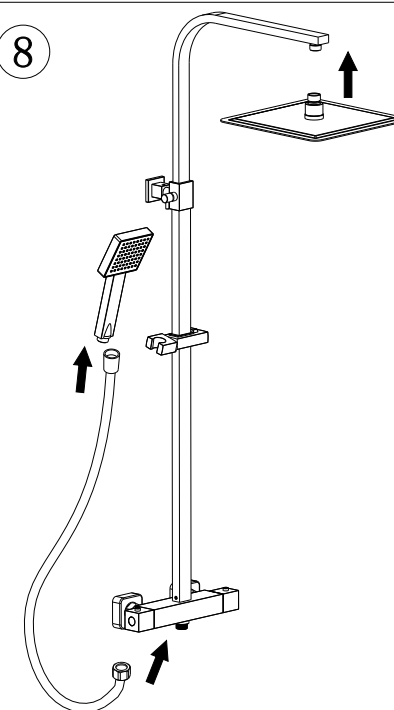
6



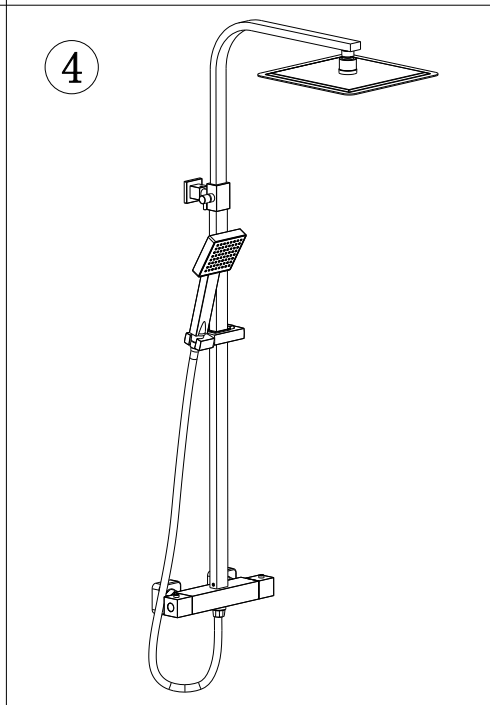
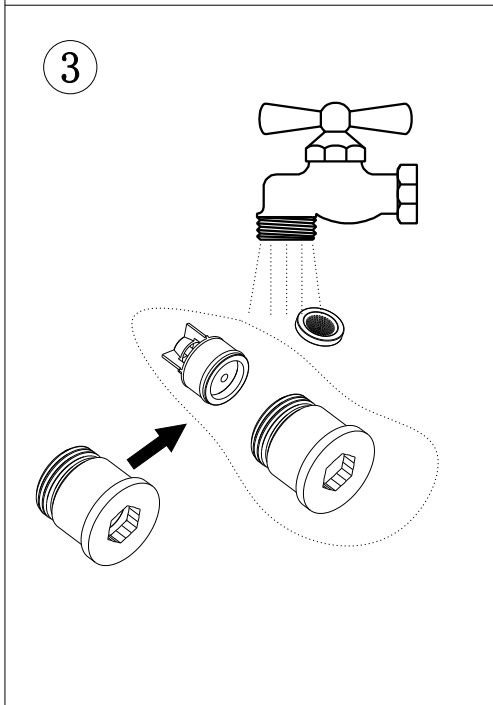
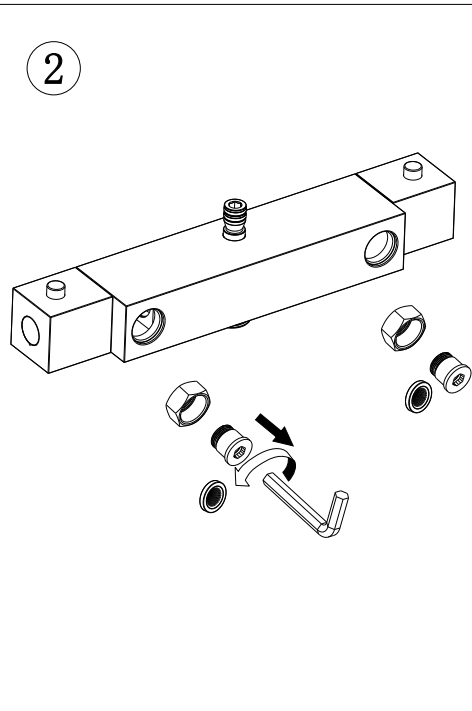
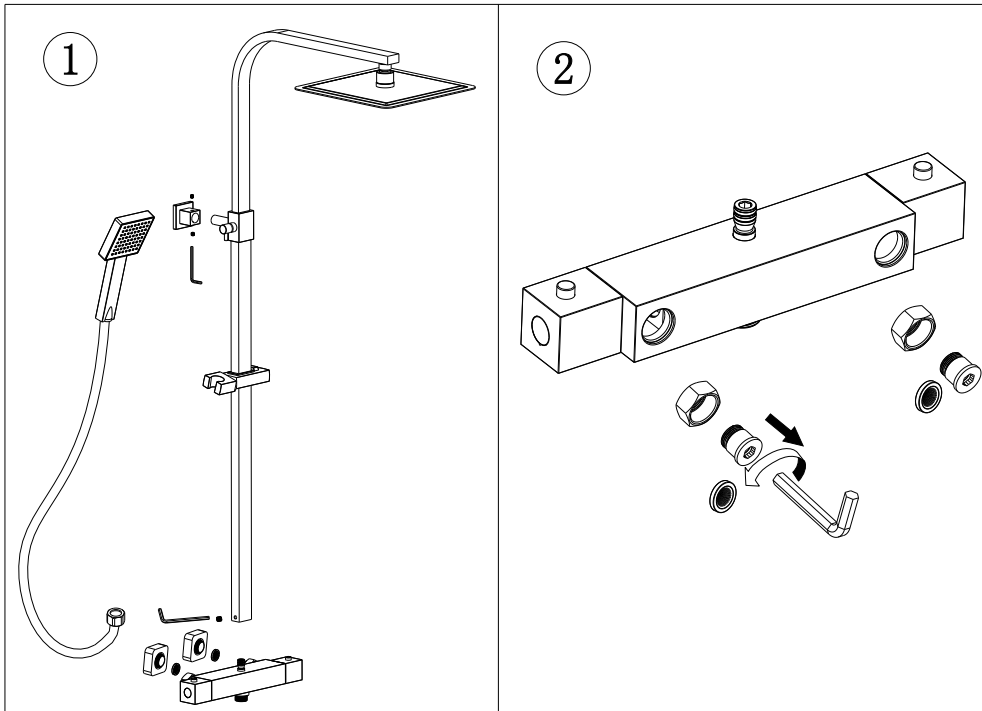
7



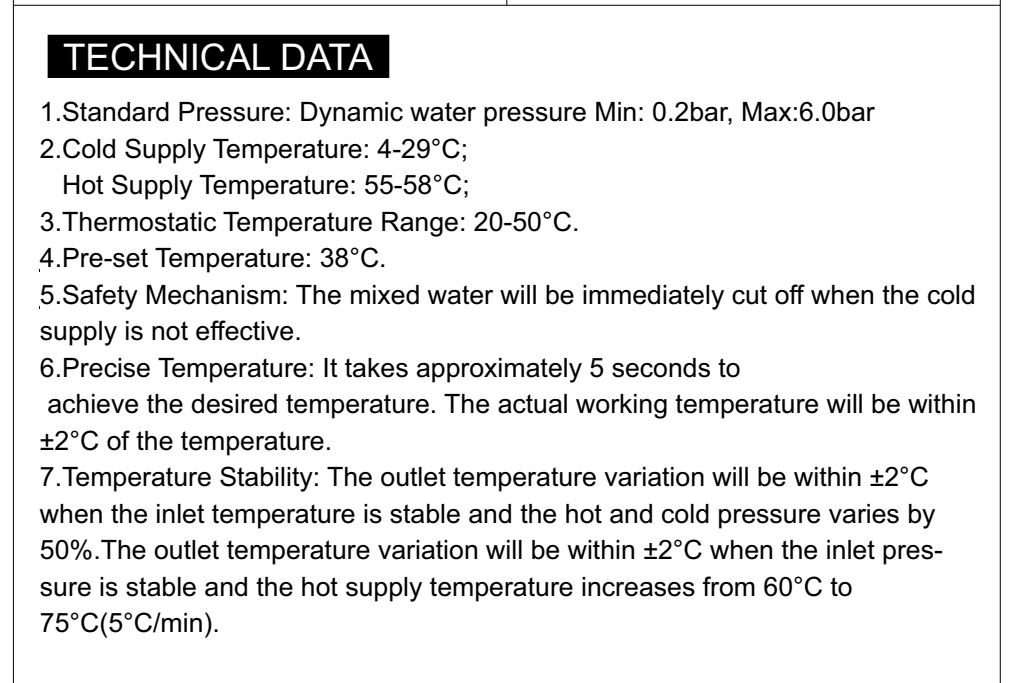
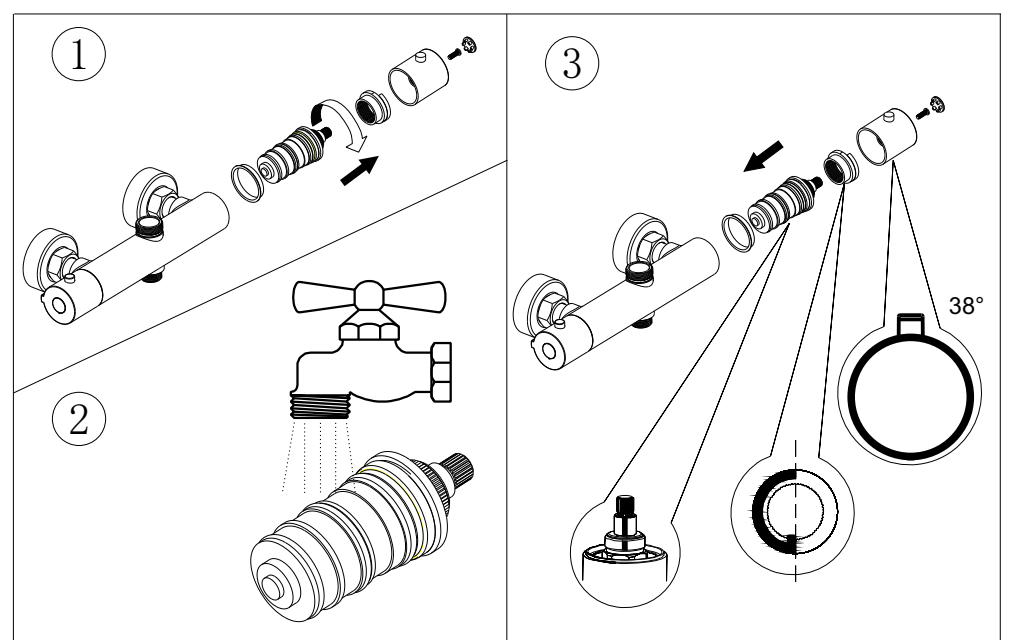
8



## Maintenance-Cleaning check valve & mesh filter



## Maintenance-Cleaning Thermostatic Cartridge



### TECHNICAL DATA

1. Standard Pressure: Dynamic water pressure Min: 0.2bar, Max: 6.0bar
2. Cold Supply Temperature: 4-29°C;  
Hot Supply Temperature: 55-58°C;
3. Thermostatic Temperature Range: 20-50°C.
4. Pre-set Temperature: 38°C.
5. Safety Mechanism: The mixed water will be immediately cut off when the cold supply is not effective.
6. Precise Temperature: It takes approximately 5 seconds to achieve the desired temperature. The actual working temperature will be within  $\pm 2^\circ\text{C}$  of the temperature.
7. Temperature Stability: The outlet temperature variation will be within  $\pm 2^\circ\text{C}$  when the inlet temperature is stable and the hot and cold pressure varies by 50%. The outlet temperature variation will be within  $\pm 2^\circ\text{C}$  when the inlet pressure is stable and the hot supply temperature increases from 60°C to 75°C (5°C/min).

**Cleaning** All surfaces should be cleaned using a clean damp cloth. No abrasive cleaning agents or materials should be used.